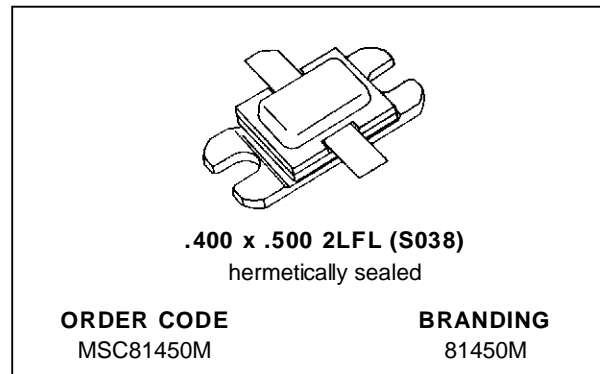


RF & MICROWAVE TRANSISTORS AVIONICS APPLICATIONS

- REFRACTORY\GOLD METALLIZATION
- RUGGEDIZED VSWR 25:1
- INTERNAL INPUT/OUTPUT MATCHING
- LOW THERMAL RESISTANCE
- METAL/CERAMIC HERMETIC PACKAGE
- P_{OUT} = 450 W MIN. WITH 7.0 dB GAIN

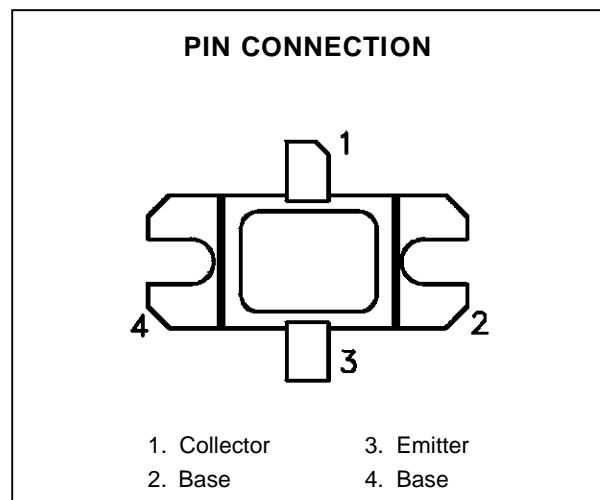


DESCRIPTION

The MSC81450M device is a high power pulsed transistor specifically designed for IFF avionics applications.

This device is capable of withstanding a minimum 25:1 load mismatch at any phase angle under full rated conditions.

The MSC81450M is housed in the unique BIG-PAC™ package with internal input/output matching structures.



ABSOLUTE MAXIMUM RATINGS (T_{case} = 25°C)

Symbol	Parameter	Value	Unit
P _{DISS}	Power Dissipation*	910	W
I _C	Device Current*	28	A
V _{CC}	Collector-Supply Voltage*	55	V
T _J	Junction Temperature (Pulsed RF Operation)	250	°C
T _{STG}	Storage Temperature	- 65 to +200	°C

THERMAL DATA

R _{TH(j-c)}	Junction-Case Thermal Resistance*	0.15	°C/W
----------------------	-----------------------------------	------	------

*Applies only to rated RF amplifier operation

ELECTRICAL SPECIFICATIONS ($T_{case} = 25^{\circ}C$)

STATIC

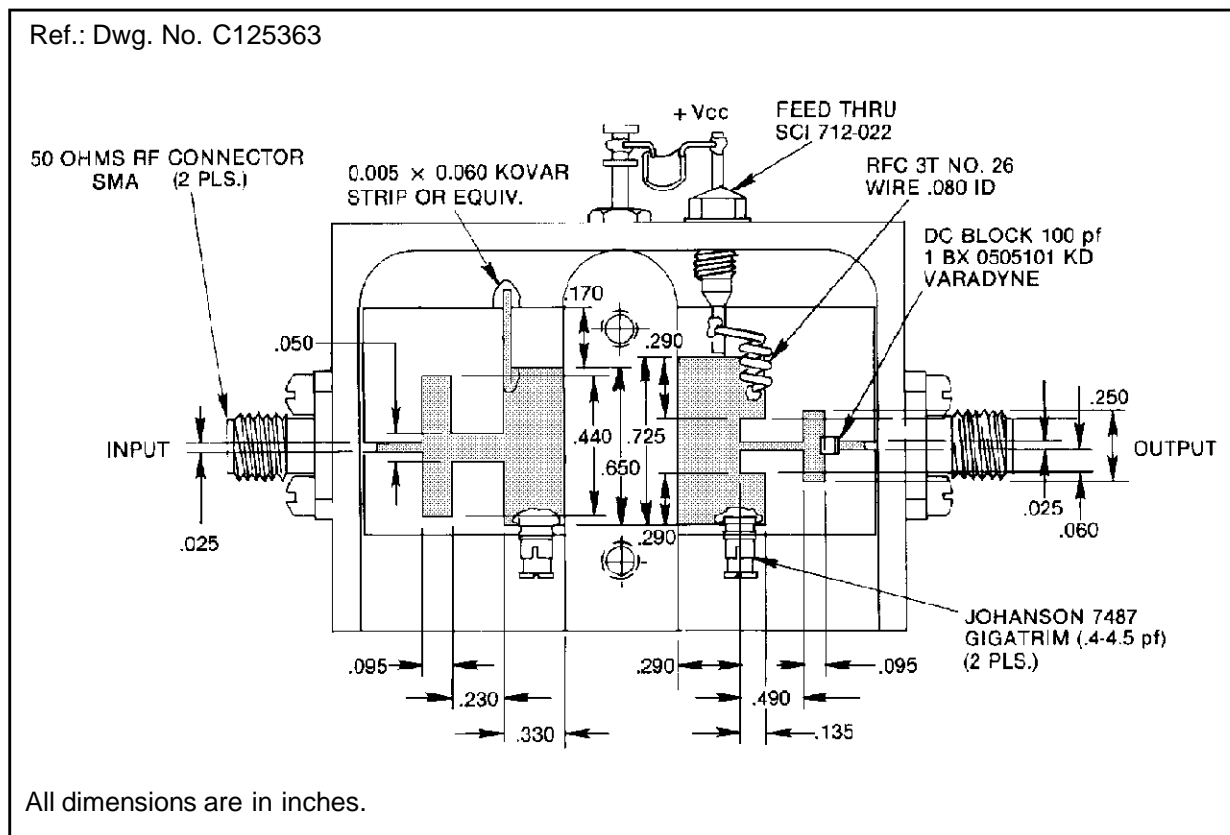
Symbol	Test Conditions		Value			Unit
			Min.	Typ.	Max.	
BV_{CBO}	$I_C = 15mA$	$I_E = 0mA$	65	—	—	V
BV_{EBO}	$I_E = 1mA$	$I_C = 0mA$	3.5	—	—	V
BV_{CER}	$I_C = 50mA$	$R_{BE} = 10\Omega$	65	—	—	V
I_{CES}	$V_{CE} = 50V$		—	—	35	mA
h_{FE}	$V_{CE} = 5V$	$I_C = 1A$	15	—	120	—

DYNAMIC

Symbol	Test Conditions			Value			Unit
				Min.	Typ.	Max.	
P_{OUT}	$f = 1090\text{ MHz}$	$P_{IN} = 90\text{ W}$	$V_{CC} = 50\text{ V}$	450	500	—	W
η_c	$f = 1090\text{ MHz}$	$P_{IN} = 90\text{ W}$	$V_{CC} = 50\text{ V}$	40	—	—	%
G_P	$f = 1090\text{ MHz}$	$P_{IN} = 90\text{ W}$	$V_{CC} = 50\text{ V}$	7.0	—	—	dB

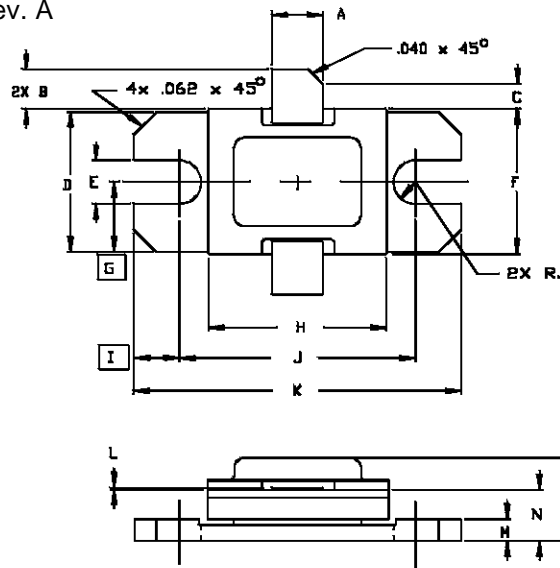
Note: Pulse Width = $10\mu\text{Sec}$
 Duty Cycle = 1%

TEST CIRCUIT



PACKAGE MECHANICAL DATA

Ref.: Dwg. No. 12-0212 rev. A



SGS-THOMSON MICROELECTRONICS		CONT'D			
	MINIMUM Inches/mm	MAXIMUM Inches/mm		MINIMUM Inches/mm	MAXIMUM Inches/mm
A	.135/3,43	.145/3,68	K	.890/22,61	.910/23,11
B	.100/2,54	.120/3,05	L	.003/0,08	.006/0,15
C	.050/1,27		M	.052/1,32	.072/1,83
D	.376/9,55	.396/10,06	N	.118/3,00	.131/3,33
E	.110/2,79	.130/3,30	P		.230/5,84
F	.395/10,03	.407/10,34			
G	.193/4,90				
H	.490/12,45	.510/12,95			
I	.100/2,54				
J	.690/17,53	.710/18,03			

Information furnished is believed to be accurate and reliable. However, SGS-THOMSON Microelectronics assumes no responsibility for the consequences of use of such information nor for any infringement of patents or other rights of third parties which may result from its use. No license is granted by implication or otherwise under any patent or patent rights of SGS-THOMSON Microelectronics. Specifications mentioned in this publication are subject to change without notice. This publication supersedes and replaces all information previously supplied. SGS-THOMSON Microelectronics products are not authorized for use as critical components in life support devices or systems without express written approval of SGS-THOMSON Microelectronics.

©1995 SGS-THOMSON Microelectronics - All Rights Reserved

SGS-THOMSON Microelectronics GROUP OF COMPANIES
 Australia - Brazil - France - Germany - Hong Kong - Italy - Japan - Korea - Malaysia - Malta - Morocco - The Netherlands - Singapore - Spain - Sweden - Switzerland - Taiwan - Thailand - United Kingdom - U.S.A.